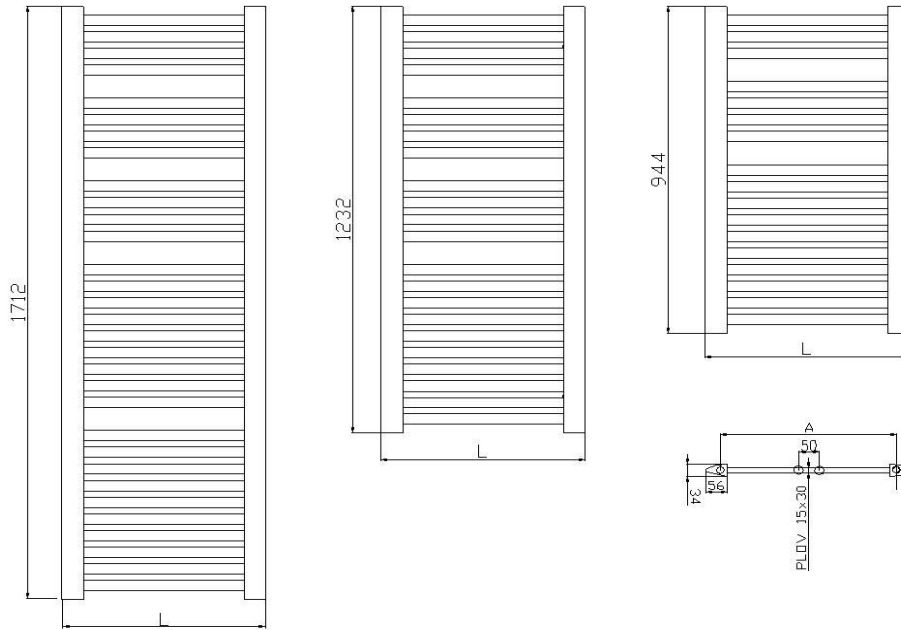


Bathroom radiators "ELLIOT LUX-N"



Characteristic details:

Width	L	(mm)	500	600	
High	H	(mm)	944	1232	1712
Spacing	A	(mm)			
Test overpressure	p	(MPa)	1,3		
The overpressure	p	(MPa)	1,0		
Depth	R	(mm)			
Conection: unten DN			G 1/2" internal		

Material:

The steel triangular profile: 34 x 56 x 1,5mm
 The rustless steel tube: 30x 15 x1,5 mm
 Including accessories
 Waranty 5 years on the radiator

Surface design:

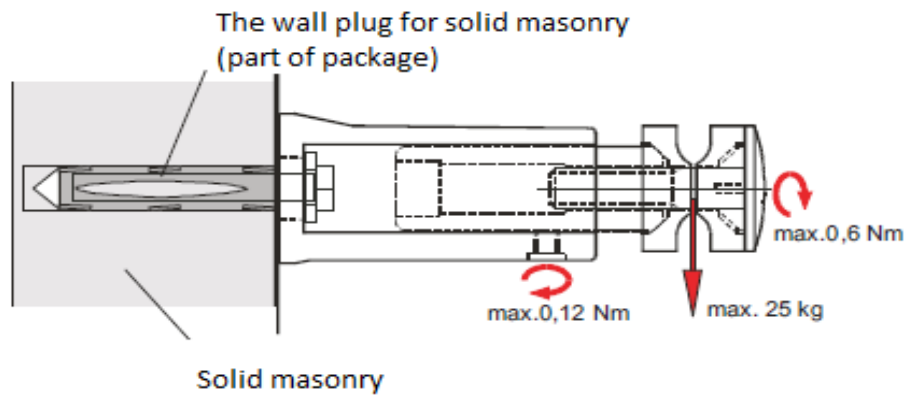
standard RAL 9016
 RAL



ELLIOT LUX-N The heat output Q (W) and engineering characteristic RAL

The type designation	Width L (mm)	High H (mm)	Depth R (mm)	Spacing A (mm)	tw1/tw2 = 90/70 (°C) near t1 (°C)					The water content (l)	Weight (kg)	The total area SL (m ²)	Recommended output of heating element (W)
					tw1/tw2 = 75/65 (°C) near t1 (°C)								
					tw1/tw2 = 55/45 (°C) near t1 (°C)								
					15	18	20	22	24				
NE-04-500.0944-48-01	500	944	52	425	708 557 295	666 524 278	638 502 266	609 480 254	582 458 243	4,3	9,2	0,824	500
NE-04-600.0944-48-01	600	944	56	525	846 666 353	796 626 332	762 600 318	728 574 304	696 548 290	4,8	11,0	0,985	600
NE-04-500.1232-48-01	500	1232	52	425	895 705 374	842 663 351	806 635 337	771 607 322	736 580 307	5,6	11,9	1,096	600
NE-04-600.1232-48-01	600	1232	56	525	1078 849 450	1014 799 423	972 765 405	929 731 388	887 698 370	6,3	14,4	1,250	700
NE-04-500.1712-48-01	500	1712	52	425	1242 978 518	1168 920 487	1119 881 467	1070 842 446	1022 804 426	7,6	16,6	1,536	800
NE-04-600.1712-48-01	600	1712	56	525	1487 1171 621	1399 1101 584	1340 1055 559	1281 1009 535	1223 963 511	8,6	20,0	1,781	1000

Accessories- Set of plastic



The material: German silver

Tightening torque max. 25 Nm \pm 3 Nm