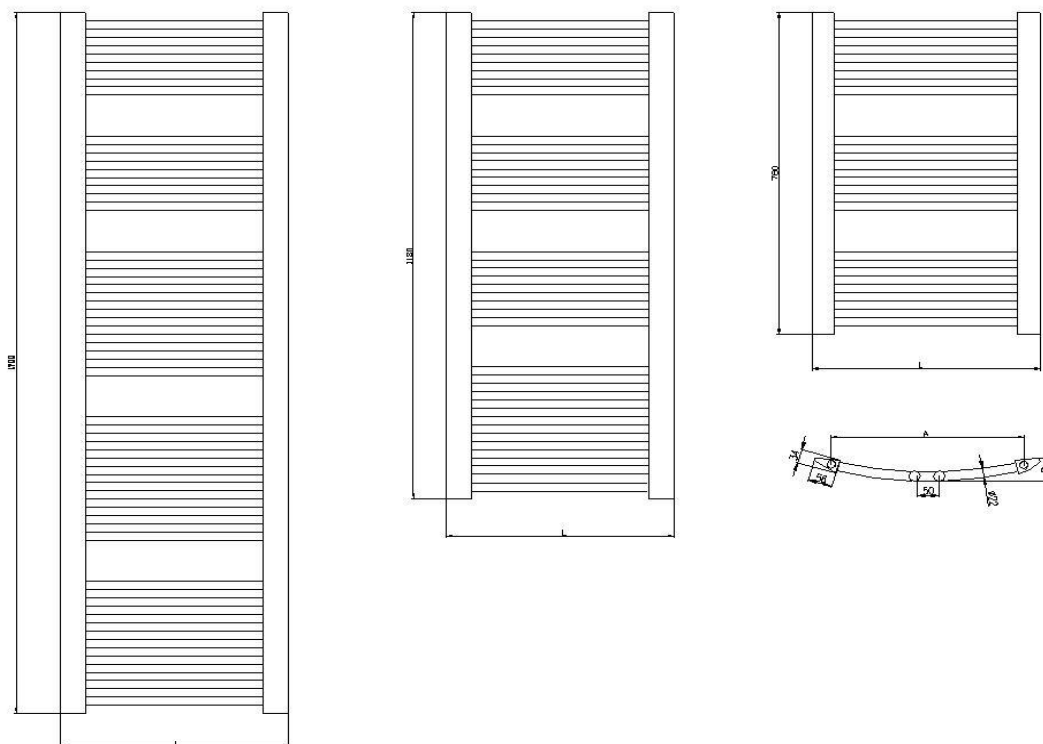


Bathroom radiators "ELLIOT-N"



Characteristic details:

Width	L	(mm)	500	600	750	900
High	H	(mm)	780	1180	1700	
Spacing	A	(mm)				
Test overpressure	p	(MPa)		1,3		
The overpressure	p	(MPa)		1,0		
Depth	R	(mm)				
Conection: center DN			G 1/2" internal			

Material:

The steel profile	34 x 56 x 1,5 mm
Steel tube	Ø 22,2 x 1,2 mm
Including accessories	
Waranty	5 years on the radiator

Surface design:

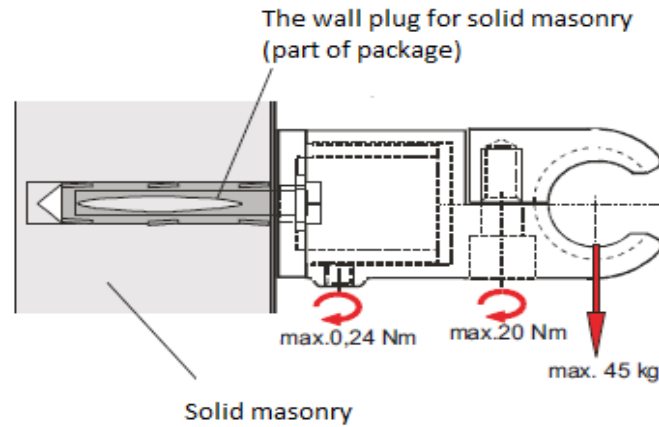
standard RAL 9016
RAL



ELLIOT-N
The heat output Q (W) and engineering characteristic
RAL

The type designation	Width L (mm)	High H (mm)	Depth R (mm)	Spacing A (mm)	tw1/tw2 = 90/70 (°C) near t1 (°C)					The water content (l)	Weight (kg)	The total area SL (m ²)	Recommended output of heating element (W)
					tw1/tw2 = 75/65 (°C) near t1 (°C)								
					tw1/tw2 = 55/45 (°C) near t1 (°C)								
					15	18	20	22	24				
NE-03-500.0780-40-01+MM	500	780	51	425	503 403 201	473 379 189	453 363 181	433 347 173	414 331 166	3,5	7,4	0,669	300
NE-03-600.0780-40-01+MM	600	780	55	525	587 473 235	552 445 221	529 426 212	506 407 202	483 389 193	3,8	8,2	0,774	300
NE-03-750.0780-40-01+MM	750	780	62	675	697 576 279	656 542 262	628 519 251	600 496 240	573 474 229	4,6	9,9	0,931	400
NE-03-500.1180-40-01+MM	500	1180	51	425	749 604 300	705 568 282	675 544 270	645 520 258	646 497 247	5,3	11,3	1,021	500
NE-03-600.1180-40-01+MM	600	1180	55	525	875 708 350	823 666 329	789 638 315	754 610 302	720 582 288	5,6	12,4	1,181	600
NE-03-750.1180-40-01+MM	750	1180	62	675	1059 862 424	996 811 398	954 777 382	912 743 365	871 709 348	6,9	14,5	1,422	700
NE-03-900.1180-40-01+MM	900	1180	71	825	1238 1013 495	1165 953 466	1116 913 446	1067 873 427	1019 834 407	8,1	17,2	1,662	800
NE-03-500.1700-40-01+MM	500	1700	51	425	1101 882 441	1036 830 414	992 795 397	949 760 379	906 726 362	7,8	16,4	1,494	700
NE-03-600.1700-40-01+MM	600	1700	55	525	1287 1037 515	1210 975 484	1159 934 464	1108 893 443	1058 853 423	8,5	18,0	1,731	900
NE-03-750.1700-40-01+MM	750	1700	62	675	1554 1262 621	1461 1187 584	1400 1137 560	1338 1087 535	1278 1038 511	10,1	21,2	2,086	1000
NE-03-900.1700-40-01+MM	900	1700	71	825	1809 1482 724	1702 1394 681	1630 1335 652	1558 1276 623	1488 1219 595	11,8	25,1	2,442	1000

Accessories- Set metal



The plug and bleed screw G 1/2"



The material: German silver
Tightening torque max. 25 Nm \pm 3 Nm

