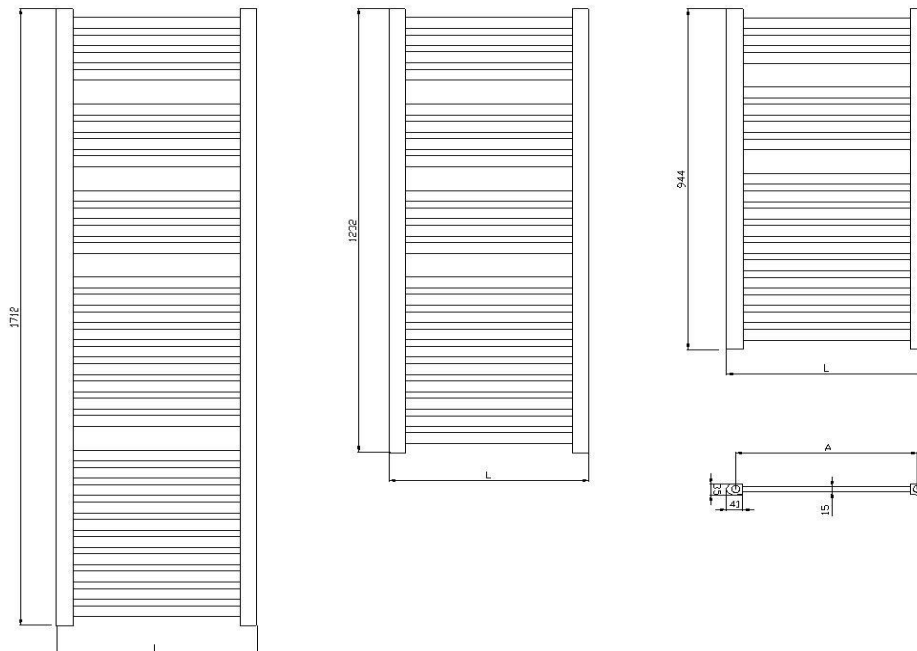


Bathroom radiators "PARIS-N"



Characteristic details:

Width	L	(mm)	500	600	
High	H	(mm)	944	1232	1712
Spacing	A	(mm)			
Test overpressure	p	(MPa)	1,3		
The overpressure	p	(MPa)	1,0		
Depth	R	(mm)			
Conection: lower x center DN			G 1/2" internal		

Material:

The steel D-profile	41 x 35 x 1,5 mm
The rustless steel tube:	30 x 15 x 1,5 mm
Including accessories	
Waranty	5 years on the radiator

Surface design:

standard RAL 9016
RAL
chrome



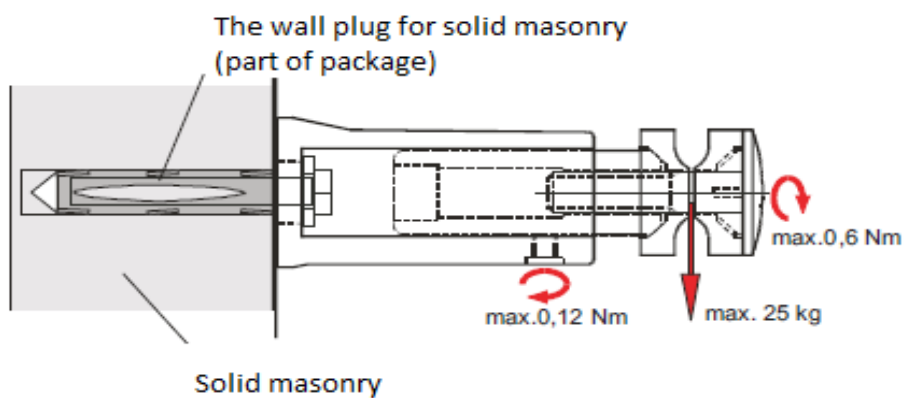
PARIS RONDO-N The heat output Q (W) and engineering characteristic RAL

The type designation	Width L (mm)	High H (mm)	Depth R (mm)	Spacing A (mm)	tw1/tw2 = 90/70 (°C) near t1 (°C)					The water content (l)	Weight (kg)	The total area SL (m ²)	Recommended output of heating element (W)
					tw1/tw2 = 75/65 (°C) near t1 (°C)								
					tw1/tw2 = 55/45 (°C) near t1 (°C)								
					15	18	20	22	24				
NS-04-500.0944-48-01	500	944	35	459	708 557 295	666 524 278	638 502 266	609 480 254	582 458 243	4,3	9,2	0,824	500
NS-04-600.0944-48-01	600	944	35	559	846 666 353	796 626 332	762 600 318	728 574 304	696 548 290	4,8	11,0	0,985	600
NS-04-500.1232-48-01	500	1232	35	459	895 705 374	842 663 351	806 635 337	771 607 322	736 580 307	5,6	11,9	1,096	600
NS-04-600.1232-48-01	600	1232	35	559	1078 849 450	1014 799 423	972 765 405	929 731 388	887 698 370	6,3	14,4	1,250	700
NS-04-500.1712-48-01	500	1712	35	459	1242 978 518	1168 920 487	1119 881 467	1070 842 446	1022 804 426	7,6	16,6	1,536	800
NS-04-600.1712-48-01	600	1712	35	559	1487 1171 621	1399 1101 584	1340 1055 559	1281 1009 535	1223 963 511	8,6	20,0	1,781	1000

PARIS RONDO-N The heat output Q (W) and engineering characteristic Cr

The type designation	Width L (mm)	High H (mm)	Depth R (mm)	Spacing A (mm)	tw1/tw2 = 90/70 (°C) near t1 (°C)					The water content (l)	Weight (kg)	The total area SL (m ²)	Recommended output of heating element (W)
					tw1/tw2 = 75/65 (°C) near t1 (°C)								
					tw1/tw2 = 55/45 (°C) near t1 (°C)								
					15	18	20	22	24				
NS-04-500.0944-48-07	500	944	35	459	465 366 194	438 345 183	419 330 175	401 315 167	383 301 160	4,3	9,2	0,824	300
NS-04-600.0944-48-07	600	944	35	559	560 441 234	526 414 220	504 397 210	482 380 201	460 362 192	4,8	11,0	0,985	400
NS-04-500.1232-48-07	500	1232	35	459	585 461 244	550 433 230	527 415 220	504 397 210	481 379 201	5,6	11,9	1,096	400
NS-04-600.1232-48-07	600	1232	35	559	730 575 305	687 541 287	658 518 275	629 495 262	601 473 251	6,3	14,4	1,250	500
NS-04-500.1712-48-07	500	1712	35	459	812 639 339	764 601 319	732 576 305	699 551 292	668 526 279	7,6	16,6	1,536	600
NS-04-600.1712-48-07	600	1712	35	559	973 766 406	915 720 382	876 690 366	838 660 350	800 630 334	8,6	20,0	1,781	700

Accessories- Set of plastic



The material: German silver

Tightening torque max. 25 Nm \pm 3 Nm