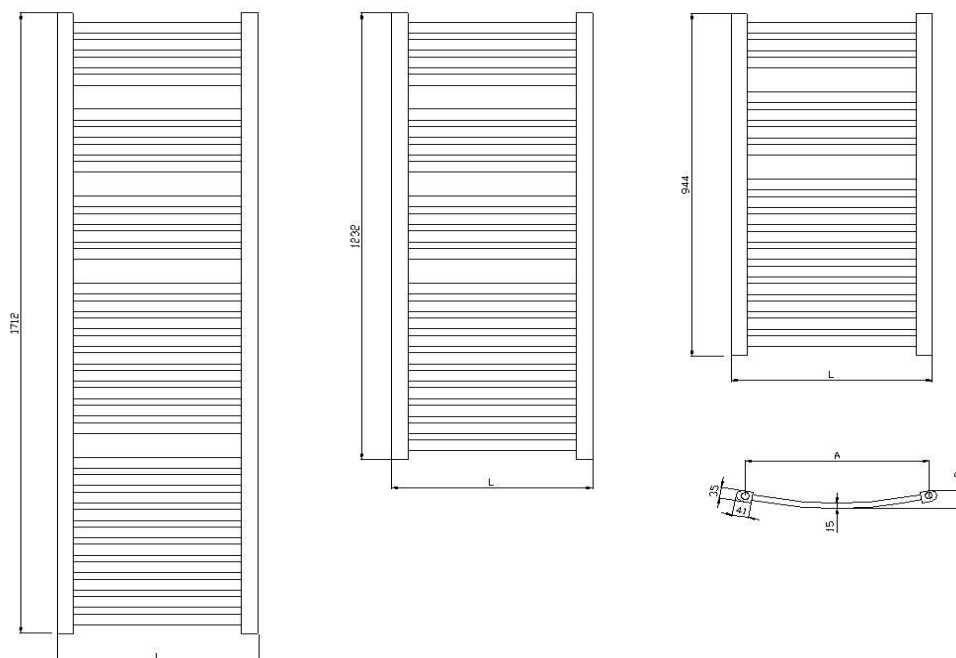


## Bathroom radiators "PARIS RONDO-N"



**Characteristic details:**

Width	L	(mm)	500	600	
High	H	(mm)	944	1232	1712
Spacing	A	(mm)			
Test overpressure	p	(MPa)		1,3	
The overpressure	p	(MPa)		1,0	
Depth	R	(mm)			
Conection: lower x center DN			G 1/2" internal		

**Material:**

The steel D-profile	41 x 35 x 1,5 mm
The rustless steel tube:	3 0x 15 x 1,5 mm
Including accessories	
Waranty	5 years on the radiator

**Surface design:**

standard RAL 9016  
RAL  
chrome



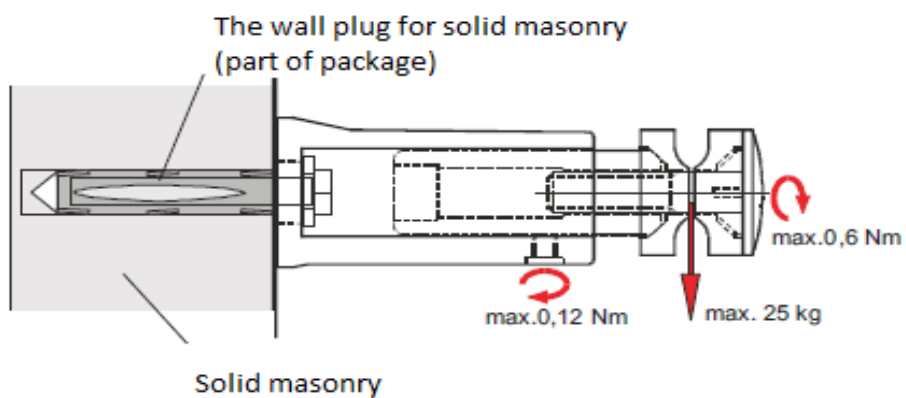
### PARIS RONDO-N      The heat output Q (W) and engineering characteristic      RAL

The type designation	Width L (mm)	High H (mm)	Depth R (mm)	Spacing A (mm)	tw1/tw2 = 90/70 (°C) near t1 (°C)					The water content (l)	Weight (kg)	The total area SL (m <sup>2</sup> )	Recommended output of heating element (W)
					tw1/tw2 = 75/65 (°C) near t1 (°C)								
					tw1/tw2 = 55/45 (°C) near t1 (°C)								
					15	18	20	22	24				
NS-24-500.0944-48-01	500	944	52	459	708 <b>557</b> 295	666 <b>524</b> 278	638 <b>502</b> 266	609 <b>480</b> 254	582 <b>458</b> 243	4,3	9,2	0,824	500
NS-24-600.0944-48-01	600	944	56	559	846 <b>666</b> 353	796 <b>626</b> 332	762 <b>600</b> 318	728 <b>574</b> 304	696 <b>548</b> 290	4,8	11,0	0,985	600
NS-24-500.1232-48-01	500	1232	52	459	895 <b>705</b> 374	842 <b>663</b> 351	806 <b>635</b> 337	771 <b>607</b> 322	736 <b>580</b> 307	5,6	11,9	1,096	600
NS-24-600.1232-48-01	600	1232	56	559	1078 <b>849</b> 450	1014 <b>799</b> 423	972 <b>765</b> 405	929 <b>731</b> 388	887 <b>698</b> 370	6,3	14,4	1,250	700
NS-24-500.1712-48-01	500	1712	52	459	1242 <b>978</b> 518	1168 <b>920</b> 487	1119 <b>881</b> 467	1070 <b>842</b> 446	1022 <b>804</b> 426	7,6	16,6	1,536	800
NS-24-600.1712-48-01	600	1712	56	559	1487 <b>1171</b> 621	1399 <b>1101</b> 584	1340 <b>1055</b> 559	1281 <b>1009</b> 535	1223 <b>963</b> 511	8,6	20,0	1,781	1000

### PARIS RONDO-N      The heat output Q (W) and engineering characteristic      Cr

The type designation	Width L (mm)	High H (mm)	Depth R (mm)	Spacing A (mm)	tw1/tw2 = 90/70 (°C) near t1 (°C)					The water content (l)	Weight (kg)	The total area SL (m <sup>2</sup> )	Recommended output of heating element (W)
					tw1/tw2 = 75/65 (°C) near t1 (°C)								
					tw1/tw2 = 55/45 (°C) near t1 (°C)								
					15	18	20	22	24				
NS-24-500.0944-48-07	500	944	52	459	465 <b>366</b> 194	438 <b>345</b> 183	419 <b>330</b> 175	401 <b>315</b> 167	383 <b>301</b> 160	4,3	9,2	0,824	300
NS-24-600.0944-48-07	600	944	56	559	560 <b>441</b> 234	526 <b>414</b> 220	504 <b>397</b> 210	482 <b>380</b> 201	460 <b>362</b> 192	4,8	11,0	0,985	400
NS-24-500.1232-48-07	500	1232	52	459	585 <b>461</b> 244	550 <b>433</b> 230	527 <b>415</b> 220	504 <b>397</b> 210	481 <b>379</b> 201	5,6	11,9	1,096	400
NS-24-600.1232-48-07	600	1232	56	559	730 <b>575</b> 305	687 <b>541</b> 287	658 <b>518</b> 275	629 <b>495</b> 262	601 <b>473</b> 251	6,3	14,4	1,250	500
NS-24-500.1712-48-07	500	1712	52	459	812 <b>639</b> 339	764 <b>601</b> 319	732 <b>576</b> 305	699 <b>551</b> 292	668 <b>526</b> 279	7,6	16,6	1,536	600
NS-24-600.1712-48-07	600	1712	56	559	973 <b>766</b> 406	915 <b>720</b> 382	876 <b>690</b> 366	838 <b>660</b> 350	800 <b>630</b> 334	8,6	20,0	1,781	700

### Accessories- Set of plastic



The material: German silver

Tightening torque max. 25 Nm  $\pm$  3 Nm