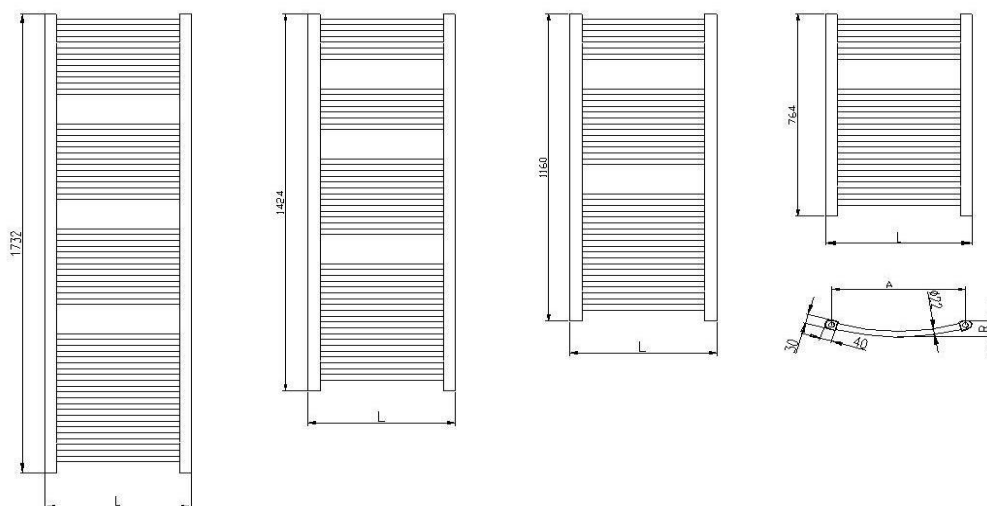


## Bathroom radiators "PRIMO RONDO-N"



**Characteristic details:**

Width	L	(mm)	400	500	600	750
High	H	(mm)	764	1160	1424	1732
Spacing	A	(mm)				
Test overpressure	p	(MPa)		1,3		
The overpressure	p	(MPa)		1,0		
Depth	R	(mm)				
Conection: lower x center DN			G 1/2" internal			

**Material:**

The steel profile	30 x 40 x 1,5 mm
Steel tube	∅ 22 x 1,2 mm
Including accessories	
Waranty	5 years on the radiator

**Surface design:**

standard RAL 9016  
RAL  
chrome (note width only 500, 600 mm)



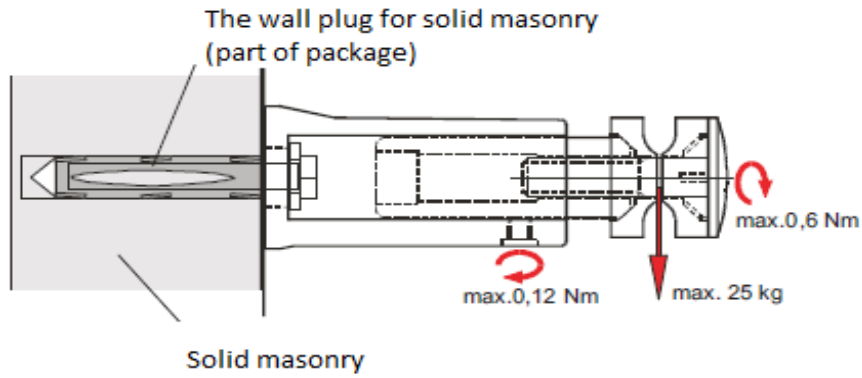
#### PRIMO RONDO-N The heat output Q (W) and engineering characteristic RAL

The type designation	Width L (mm)	High H (mm)	Depth R (mm)	Spacing A (mm)	tw1/tw2 = 90/70 (°C) near t1 (°C)					The water content (l)	Weight (kg)	The total area SL (m <sup>2</sup> )	Recommended output of heating element (W)
					tw1/tw2 = 75/65 (°C) near t1 (°C)								
					15	18	20	22	24				
NR-03-400.0764-44-01	400	764	47	360	398	375	359	343	328	2,6	5,1	0,526	200
					<b>319</b>	<b>300</b>	<b>287</b>	<b>275</b>	<b>262</b>				
NR-03-500.0764-44-01	500	764	54	460	479	450	431	412	394	3,1	6,0	0,630	300
					<b>382</b>	<b>359</b>	<b>344</b>	<b>329</b>	<b>314</b>				
NR-03-600.0764-44-01	600	764	57	560	555	522	500	478	456	3,6	6,9	0,733	300
					<b>444</b>	<b>418</b>	<b>400</b>	<b>383</b>	<b>365</b>				
NR-03-750.0764-44-01	750	764	64	710	672	632	605	579	553	4,2	8,3	0,889	400
					<b>539</b>	<b>507</b>	<b>485</b>	<b>464</b>	<b>443</b>				
NR-03-400.1160-44-01	400	1160	47	360	592	557	534	510	487	3,9	7,7	0,782	300
					<b>474</b>	<b>446</b>	<b>427</b>	<b>408</b>	<b>390</b>				
NR-03-500.1160-44-01	500	1160	54	460	710	668	639	611	584	4,6	8,8	0,934	400
					<b>566</b>	<b>532</b>	<b>510</b>	<b>488</b>	<b>466</b>				
NR-03-600.1160-44-01	600	1160	57	560	822	773	741	708	676	5,2	10,2	1,086	500
					<b>658</b>	<b>619</b>	<b>593</b>	<b>567</b>	<b>541</b>				
NR-03-750.1160-44-01	750	1160	64	710	993	934	895	855	817	6,5	12,4	1,314	600
					<b>796</b>	<b>749</b>	<b>717</b>	<b>686</b>	<b>655</b>				
NR-03-400.1424-44-01	400	1424	47	360	711	668	640	612	584	4,7	8,9	0,938	400
					<b>568</b>	<b>535</b>	<b>512</b>	<b>490</b>	<b>468</b>				
NR-03-500.1424-44-01	500	1424	54	460	848	798	764	731	698	5,7	10,8	1,117	500
					<b>677</b>	<b>637</b>	<b>610</b>	<b>583</b>	<b>557</b>				
NR-03-600.1424-44-01	600	1424	57	560	985	926	887	848	810	6,3	12,1	1,301	600
					<b>788</b>	<b>742</b>	<b>710</b>	<b>679</b>	<b>649</b>				
NR-03-750.1424-44-01	750	1424	64	710	1184	1114	1067	1020	974	7,4	14,3	1,567	700
					<b>950</b>	<b>893</b>	<b>856</b>	<b>818</b>	<b>781</b>				
NR-03-400.1732-44-01	400	1732	47	360	888	835	800	765	730	5,9	11,3	1,172	600
					<b>710</b>	<b>668</b>	<b>640</b>	<b>612</b>	<b>584</b>				
NR-03-500.1732-44-01	500	1732	54	460	1066	1003	961	918	877	6,9	13,2	1,403	700
					<b>850</b>	<b>800</b>	<b>766</b>	<b>732</b>	<b>699</b>				
NR-03-600.1732-44-01	600	1732	57	560	1232	1158	1110	1061	1013	7,8	15,0	1,627	800
					<b>986</b>	<b>927</b>	<b>888</b>	<b>849</b>	<b>811</b>				
NR-03-750.1732-44-01	750	1732	64	710	1489	1400	1341	1282	1225	9,2	17,9	1,970	1000
					<b>1194</b>	<b>1123</b>	<b>1076</b>	<b>1028</b>	<b>982</b>				

#### PRIMO RONDO-N The heat output Q (W) and engineering characteristic Cr

The type designation	Width L (mm)	High H (mm)	Depth R (mm)	Spacing A (mm)	tw1/tw2 = 90/70 (°C) near t1 (°C)					The water content (l)	Weight (kg)	The total area SL (m <sup>2</sup> )	Recommended output of hearing element (W)
					tw1/tw2 = 75/65 (°C) near t1 (°C)								
					tw1/tw2 = 55/45 (°C) near t1 (°C)								
					15	18	20	22	24				
NR-03-500.0764-44-07	500	764	54	460	316	297	284	272	260	3,1	6,0	0,630	200
					<b>252</b>	<b>237</b>	<b>227</b>	<b>217</b>	<b>207</b>				
					134	126	121	116	110				
NR-03-600.0764-44-07	600	764	57	560	366	345	330	315	301	3,6	6,9	0,733	200
					<b>293</b>	<b>276</b>	<b>264</b>	<b>253</b>	<b>241</b>				
					147	138	132	126	121				
NR-03-500.1160-44-07	500	1160	54	460	469	441	422	403	385	4,6	8,8	0,934	300
					<b>374</b>	<b>351</b>	<b>337</b>	<b>322</b>	<b>308</b>				
					199	187	180	172	164				
NR-03-600.1160-44-07	600	1160	57	560	543	510	489	467	446	5,2	10,2	1,086	300
					<b>434</b>	<b>409</b>	<b>391</b>	<b>374</b>	<b>357</b>				
					217	204	195	187	178				
NR-03-500.1424-44-07	500	1424	54	460	560	527	504	482	461	5,7	10,8	1,117	300
					<b>447</b>	<b>420</b>	<b>403</b>	<b>385</b>	<b>368</b>				
					238	224	215	205	196				
NR-03-600.1424-44-07	600	1424	57	560	650	611	585	560	535	6,3	12,1	1,301	400
					<b>520</b>	<b>490</b>	<b>469</b>	<b>448</b>	<b>428</b>				
					260	245	234	224	214				
NR-03-500.1732-44-07	500	1732	54	460	704	662	634	606	579	6,9	13,2	1,403	400
					<b>561</b>	<b>528</b>	<b>506</b>	<b>483</b>	<b>461</b>				
					299	281	269	257	246				
NR-03-600.1732-44-07	600	1732	57	560	813	764	733	700	669	7,8	15,0	1,627	500
					<b>651</b>	<b>612</b>	<b>586</b>	<b>560</b>	<b>535</b>				
					325	306	293	280	267				

### Accessories- Set of plastic



The plug and bleed screw G 1/2"



The material: German silver

Tightening torque max. 25 Nm  $\pm$  3 Nm