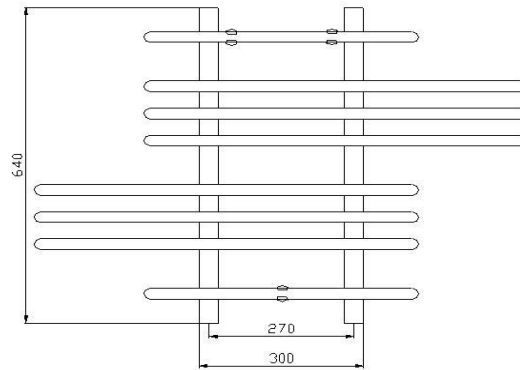
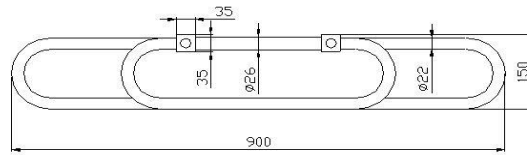


### Bathroom radiators "DIANA-N"



**Characteristic details:**

Width	L	(mm)	900
High	H	(mm)	640
Spacing	A	(mm)	
Test overpressure	p	(MPa)	1,3
The overpressure	p	(MPa)	1,0
Depth	R	(mm)	
Conection: lower DN			G 1/2" intern

**Material:**

The steel profile	35 x 35 x 1,5 mm
Steel tube	Ø 22 x 1,2 mm
Including accessories	
Waranty	5 years on the radiator

**Surface design:**

standard RAL 9016  
RAL



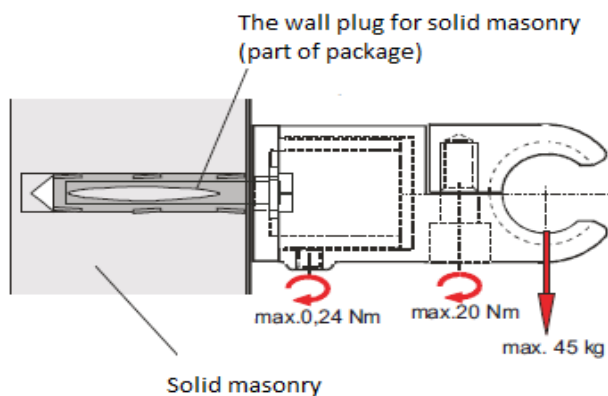
**DIANA-N**

**The heat output Q (W) and engineering characteristic**

**RAL**

The type designation	Width L (mm)	High H (mm)	Depth R (mm)	Spacing A (mm)	tw1/tw2 = 90/70 (°C) near t1 (°C)					The water content (l)	Weight (kg)	The total area SL (m <sup>2</sup> )	Recommended output of heating element (W)
					tw1/tw2 = 75/65 (°C) near t1 (°C)								
					tw1/tw2 = 55/45 (°C) near t1 (°C)								
					15	18	20	22	24				
ND-03-900.0640-55-01	900	640	148	265	607 <b>486</b> 243	571 <b>457</b> 228	547 <b>438</b> 219	523 <b>418</b> 209	500 <b>400</b> 200	4,0	8,3	0,774	300

### Accessories- Set metal



The plug and bleed screw G 1/2"



The material: German silver

Tightening torque max. 25 Nm  $\pm$  3 Nm