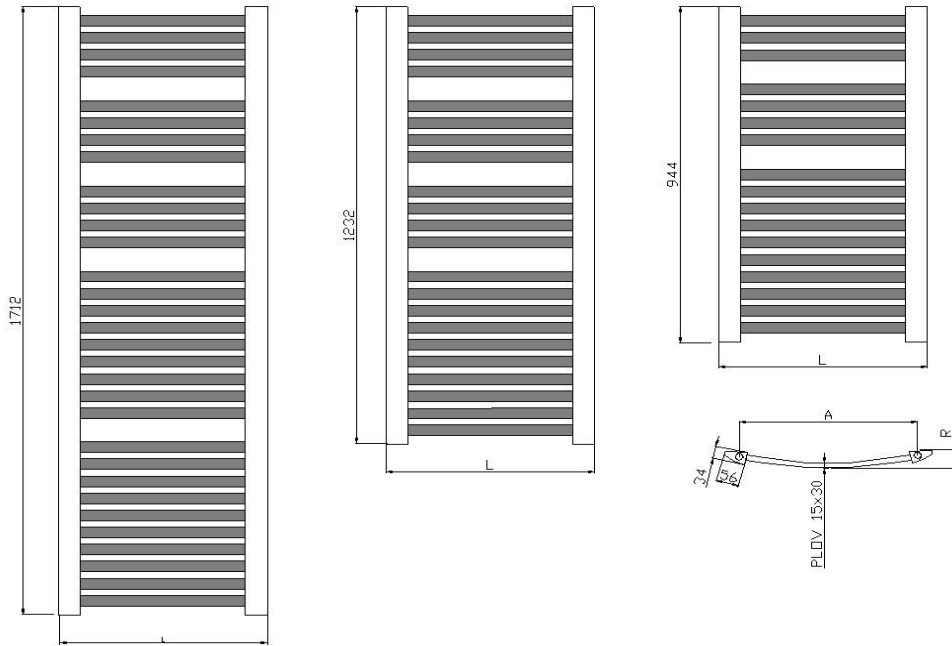


Bathroom radiators "ELLIOT LUX-N"



Characteristic details:

Width	L	(mm)	500	600	
High	H	(mm)	944	1232	1712
Spacing	A	(mm)			
Test overpressure	p	(MPa)	1,3		
The overpressure	p	(MPa)	1,0		
Depth	R	(mm)			
Conection: unten DN			G 1/2" internal		

Material:

The steel triangular profile: 34 x 56 x 1,5mm
 The rustless steel tube: 30x 15 x1,5 mm
 Including accessories
 Waranty 5 years on the radiator

Surface design:

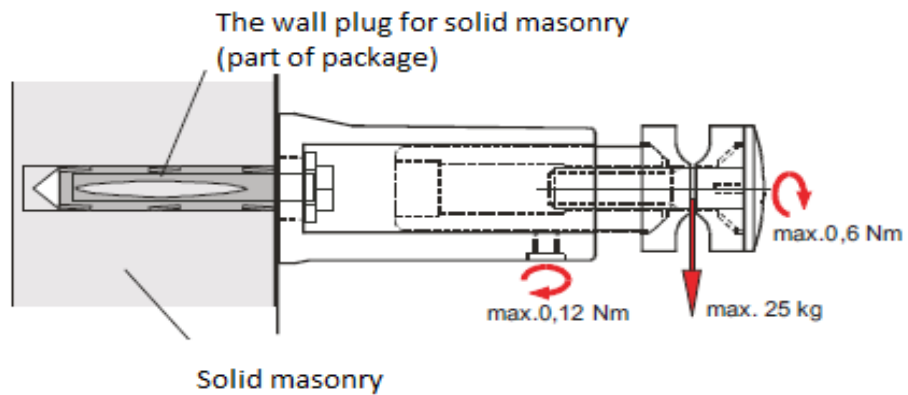
standard RAL 9016
 RAL



ELLIOT LUX-N The heat output Q (W) and engineering characteristic RAL

The type designation	Width L (mm)	High H (mm)	Depth R (mm)	Spacing A (mm)	tw1/tw2 = 90/70 (°C) near t1 (°C)					The water content (l)	Weight (kg)	The total area SL (m ²)	Recommended output of heating element (W)
					tw1/tw2 = 75/65 (°C) near t1 (°C)								
					15	18	20	22	24				
NE-04-500.0944-48-01	500	944	52	425	708	666	638	609	582	4,3	9,2	0,824	500
					557	524	502	480	458				
NE-04-600.0944-48-01	600	944	56	525	846	796	762	728	696	4,8	11,0	0,985	600
					666	626	600	574	548				
NE-04-500.1232-48-01	500	1232	52	425	895	842	806	771	736	5,6	11,9	1,096	600
					705	663	635	607	580				
NE-04-600.1232-48-01	600	1232	56	525	1078	1014	972	929	887	6,3	14,4	1,250	700
					849	799	765	731	698				
NE-04-500.1712-48-01	500	1712	52	425	1242	1168	1119	1070	1022	7,6	16,6	1,536	800
					978	920	881	842	804				
NE-04-600.1712-48-01	600	1712	56	525	1487	1399	1340	1281	1223	8,6	20,0	1,781	1000
					1171	1101	1055	1009	963				
					621	584	559	535	511				

Accessories- Set of plastic



The material: German silver

Tightening torque max. 25 Nm \pm 3 Nm