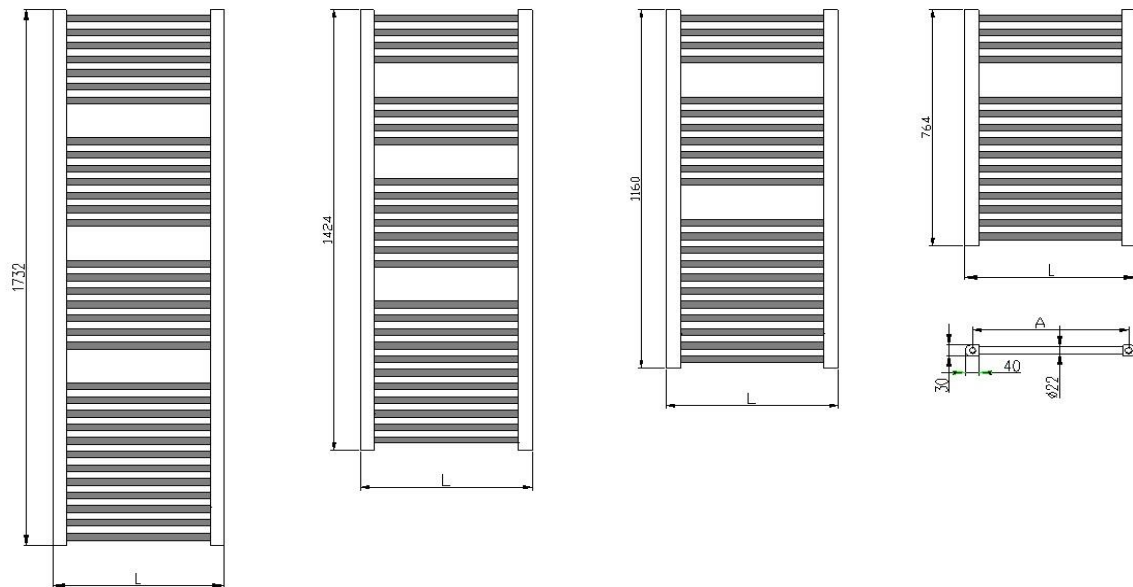


Bathroom radiators "PRIMO-N"



Characteristic details:

Width	L	(mm)		400	500	600	750
High	H	(mm)		764	1160	1424	1732
Spacing	A	(mm)					
Test overpressure	p	(MPa)	1,3				
The overpressure	p	(MPa)	1,0				
Depth	R	(mm)					
Conection: lower x center DN				G 1/2" internal			

Material:

The steel profile	30 x 40 x 1,5 mm
Steel tube	Ø 22 x 1,2 mm
Including accessories	
Waranty	5 years on the radiator

Surface design:

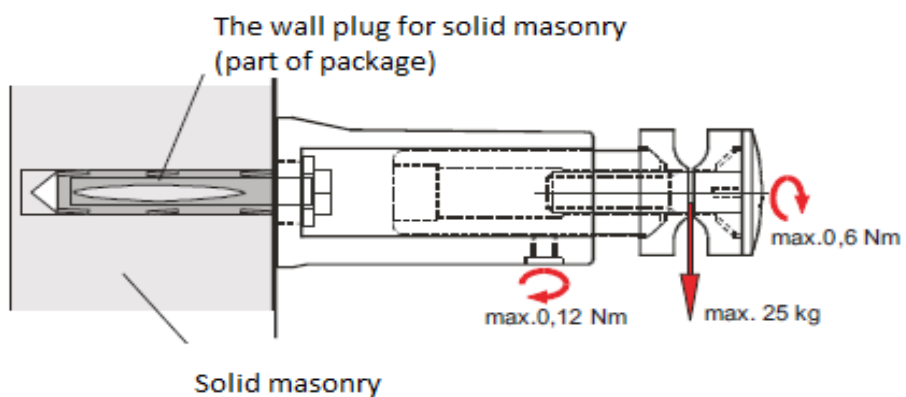
standard RAL 9016
RAL



PRIMO-N The heat output Q (W) and engineering characteristic RAL

The type designation	Width L (mm)	Height H (mm)	Depth R (mm)	Spacing A (mm)	tw1/tw2 = 90/70 (°C) near t1 (°C)					The water content (l)	Weight (kg)	The total area SL (m ²)	Recommended output of heating element (W)
					tw1/tw2 = 75/65 (°C) near t1 (°C)								
					15	18	20	22	24				
NP-03-400.0764-44-01	400	764	30	360	398	375	359	343	328	2,6	5,1	0,526	200
					319	300	287	275	262				
NP-03-500.0764-44-01	500	764	30	460	479	450	431	412	394	3,1	6,0	0,630	300
					382	359	344	329	314				
NP-03-600.0764-44-01	600	764	30	560	555	522	500	478	456	3,6	6,9	0,733	300
					444	418	400	383	365				
NP-03-750.0764-44-01	750	764	30	710	672	632	605	579	553	4,2	8,3	0,889	400
					539	507	485	464	443				
NP-03-400.1160-44-01	400	1160	30	360	592	557	534	510	487	3,9	7,7	0,782	300
					474	446	427	408	390				
NP-03-500.1160-44-01	500	1160	30	460	710	668	639	611	584	4,6	8,8	0,934	400
					566	532	510	488	466				
NP-03-600.1160-44-01	600	1160	30	560	822	773	741	708	676	5,2	10,2	1,086	500
					658	619	593	567	541				
NP-03-750.1160-44-01	750	1160	30	710	993	934	895	855	817	6,5	12,4	1,314	600
					796	749	717	686	655				
NP-03-400.1424-44-01	400	1424	30	360	711	668	640	612	584	4,7	8,9	0,938	400
					568	535	512	490	468				
NP-03-500.1424-44-01	500	1424	30	460	848	798	764	731	698	5,7	10,8	1,117	500
					677	637	610	583	557				
NP-03-600.1424-44-01	600	1424	30	560	985	926	887	848	810	6,3	12,1	1,301	600
					788	742	710	679	649				
NP-03-750.1424-44-01	750	1424	30	710	1184	1114	1067	1020	974	7,4	14,3	1,567	700
					950	893	856	818	781				
NP-03-400.1732-44-01	400	1732	30	360	888	835	800	765	730	5,9	11,3	1,172	600
					710	668	640	612	584				
NP-03-500.1732-44-01	500	1732	30	460	1066	1003	961	918	877	6,9	13,2	1,403	700
					850	800	766	732	699				
NP-03-600.1732-44-01	600	1732	30	560	1232	1158	1110	1061	1013	7,8	15,0	1,627	800
					986	927	888	849	811				
NP-03-750.1732-44-01	750	1732	30	710	1489	1400	1341	1282	1225	9,2	17,9	1,970	1000
					1194	1123	1076	1028	982				

Accessories- Set of plastic



The plug and bleed screw G 1/2"



The material: German silver

Tightening torque max. 25 Nm \pm 3 Nm

